



DOSATRON[®]

An Ingersoll Rand Business

SCHEMATICS

Dosatron Liquid Dispenser

Model # D6MZ2 - 26 GPM

1:500 - 1:50

4.3 - 116 PSI

Suggested Installation:

200 mesh/80 micron water filter prior to unit

One-way water hammer arrestor downstream from unit
for water hammer protection

Suggested Maintenance:

Replace injection seals every 12 months

DOSATRON SALES & SERVICE - NORTH & CENTRAL AMERICA

Dosatron International, LLC

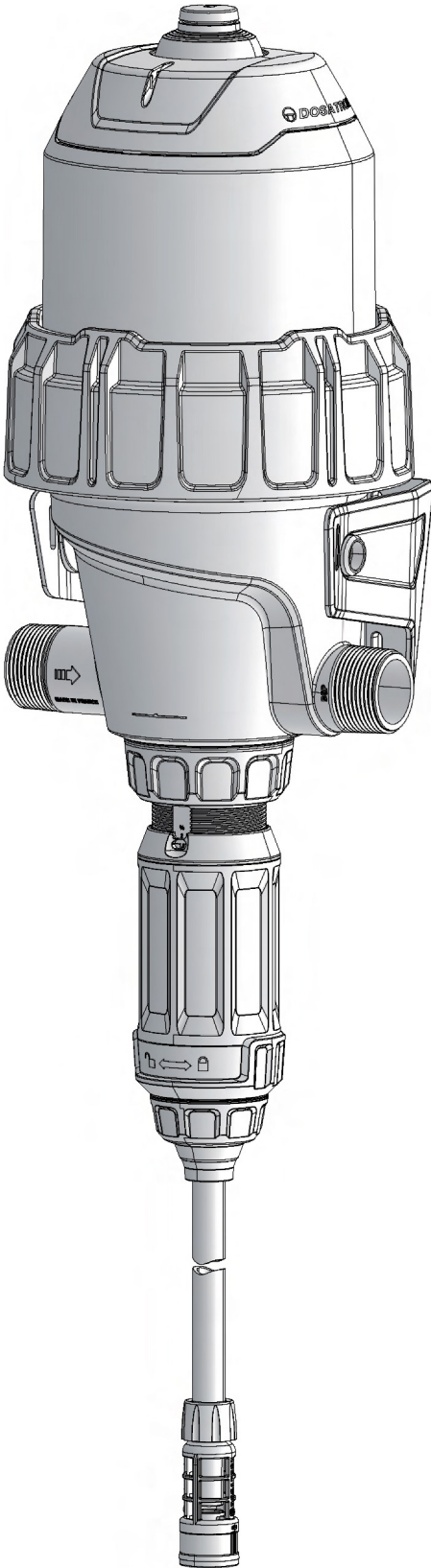
Phone: 727-443-5404 Service: (800) 523-8499

Fax: 727-447-0591

www.dosatron.com

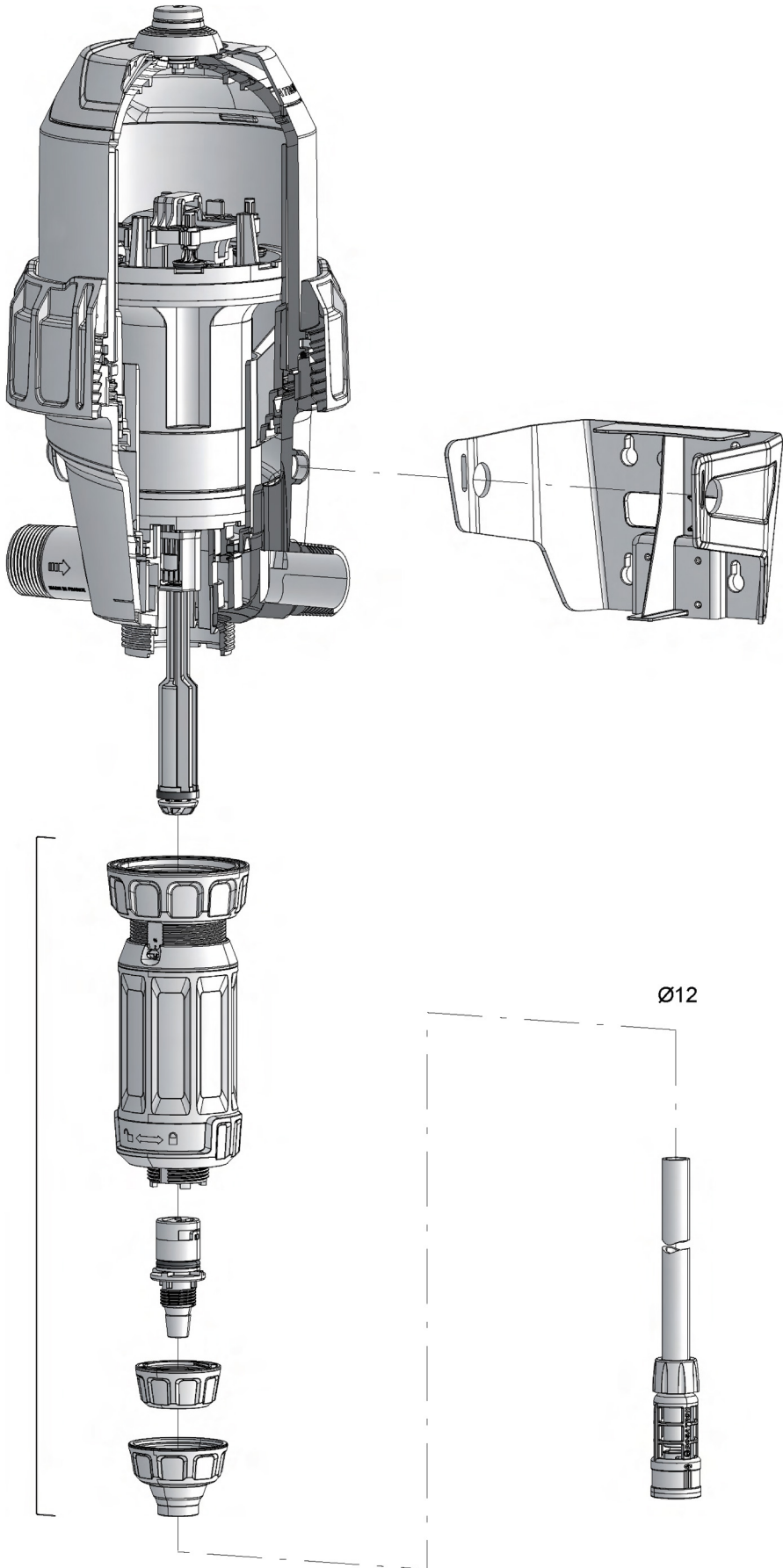
D6MZ2

26 GPM - 1:500 - 1:50
6m³/h - 0.2 - 2%
4.3 - 116 PSI
0.3 - 8 bar



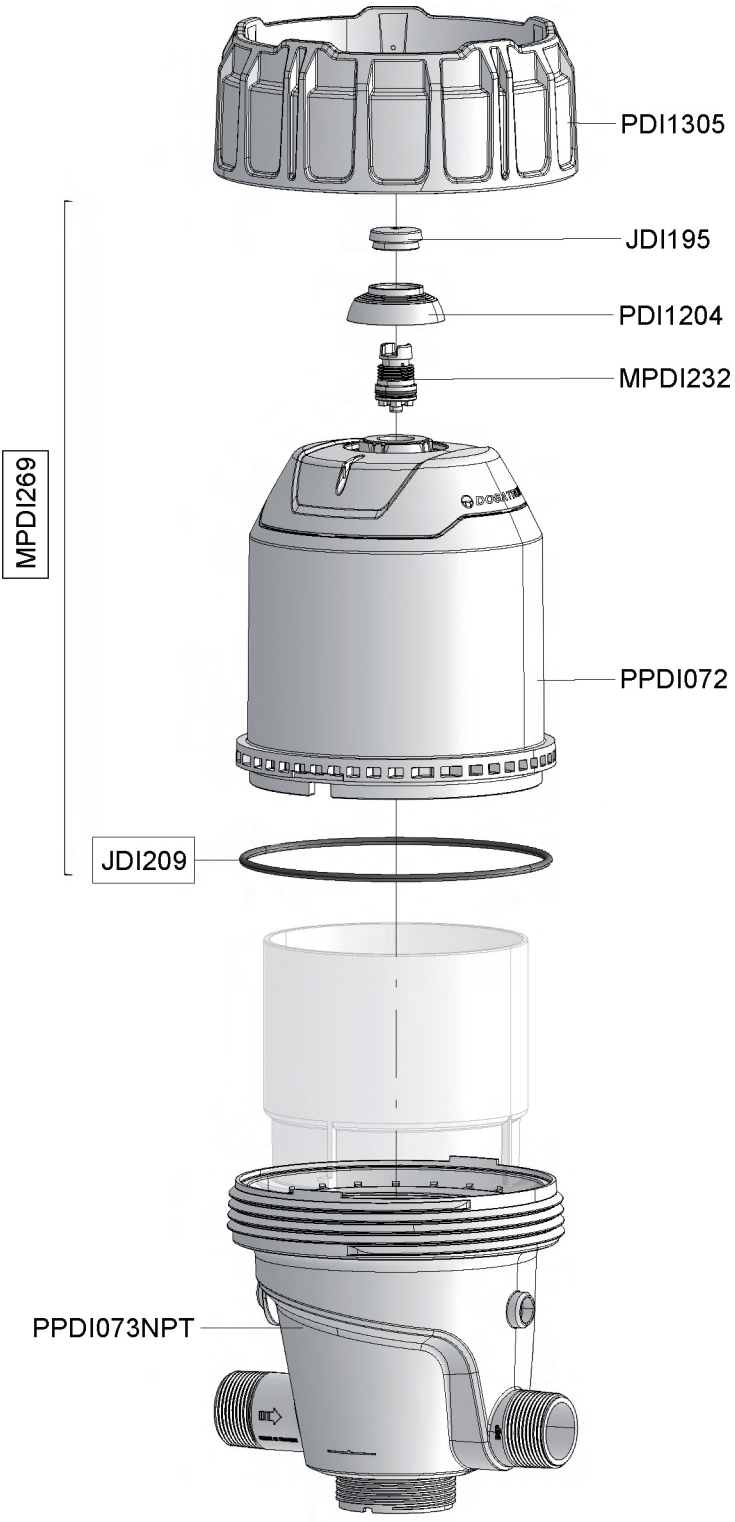
D6MZ2

26 GPM - 1:500 - 1:50
6m³/h - 0.2 - 2%
4.3 - 116 PSI
0.3 - 8 bar

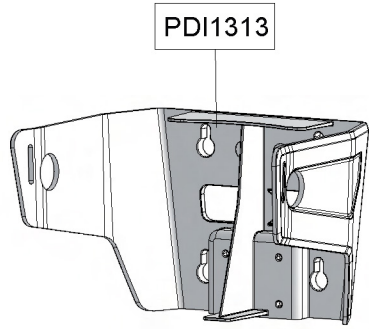
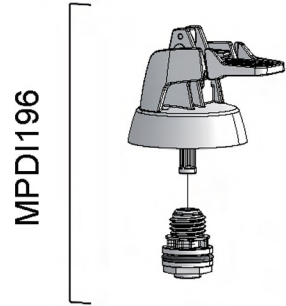


D6MZ2

26 GPM - 1:500 - 1:50
6m³/h - 0.2 - 2%
4.3 - 116 PSI
0.3 - 8 bar

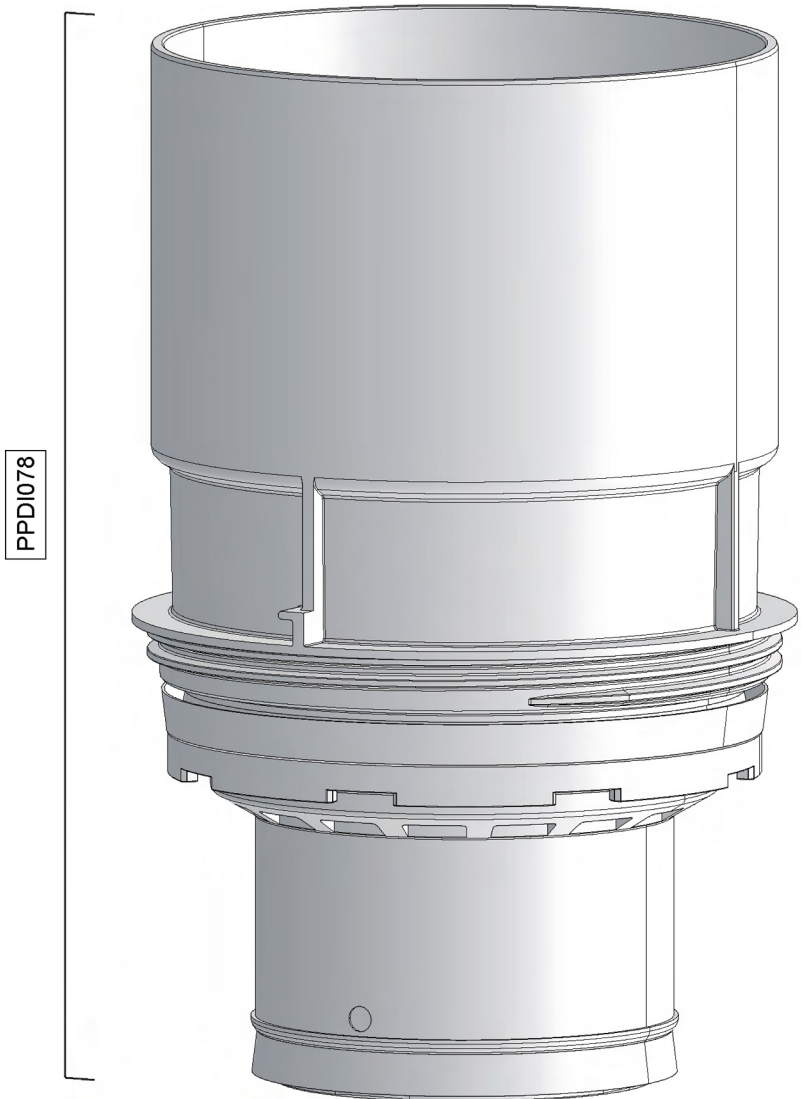


OPTION



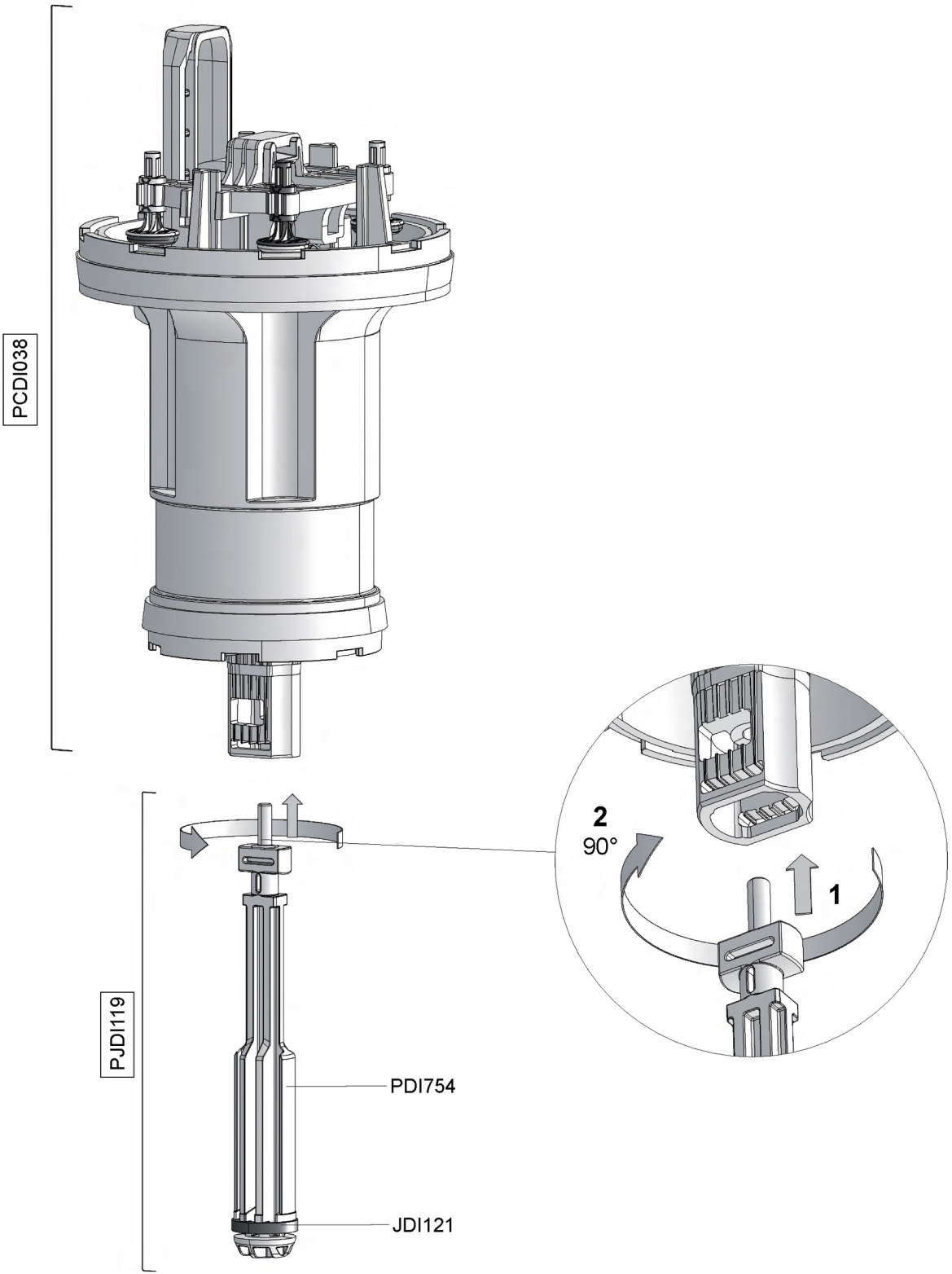
D6MZ2

26 GPM - 1:500 - 1:50
6m³/h - 0.2 - 2%
4.3 - 116 PSI
0.3 - 8 bar



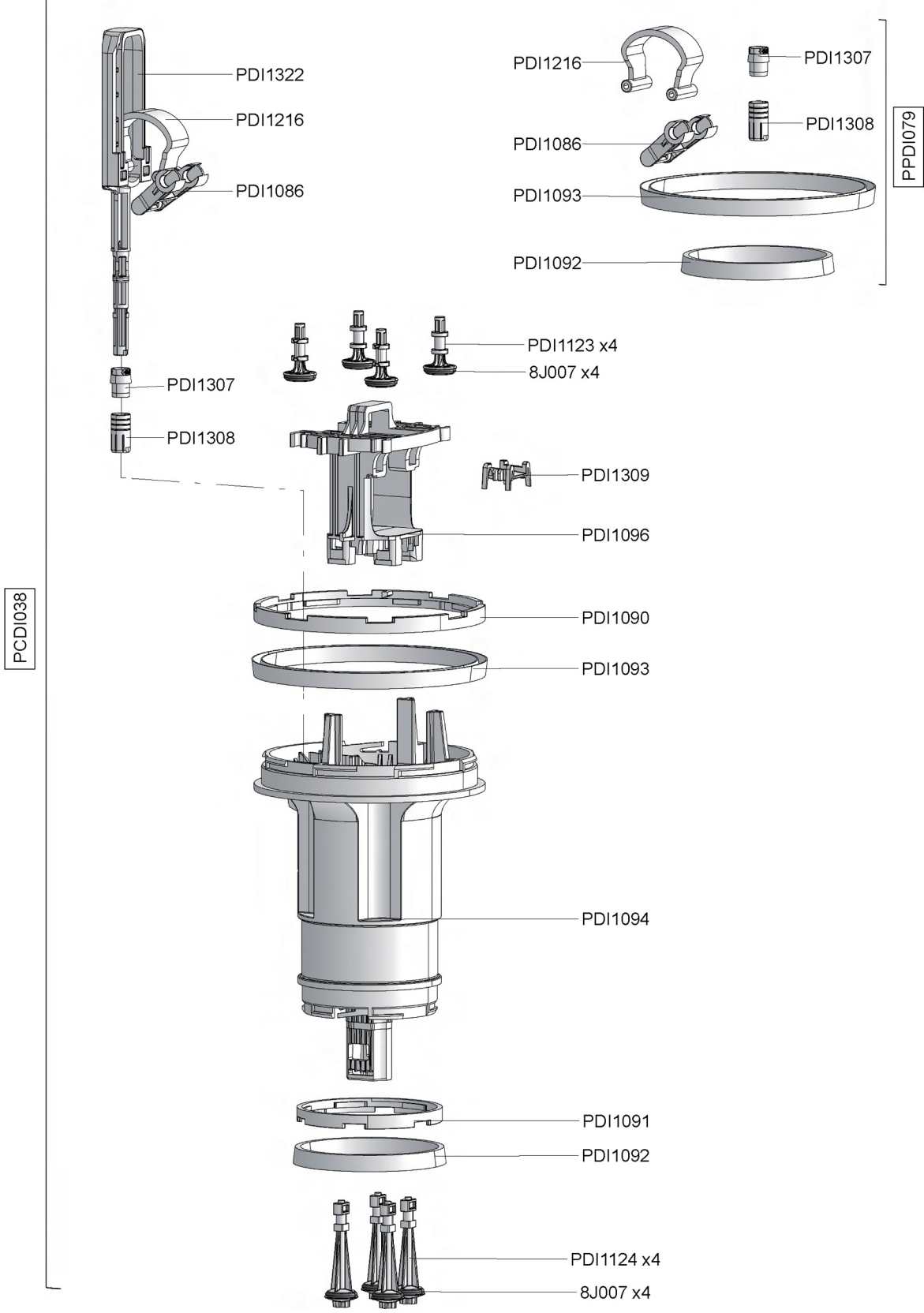
D6MZ2

26 GPM - 1:500 - 1:50
6m³/h - 0.2 - 2%
4.3 - 116 PSI
0.3 - 8 bar



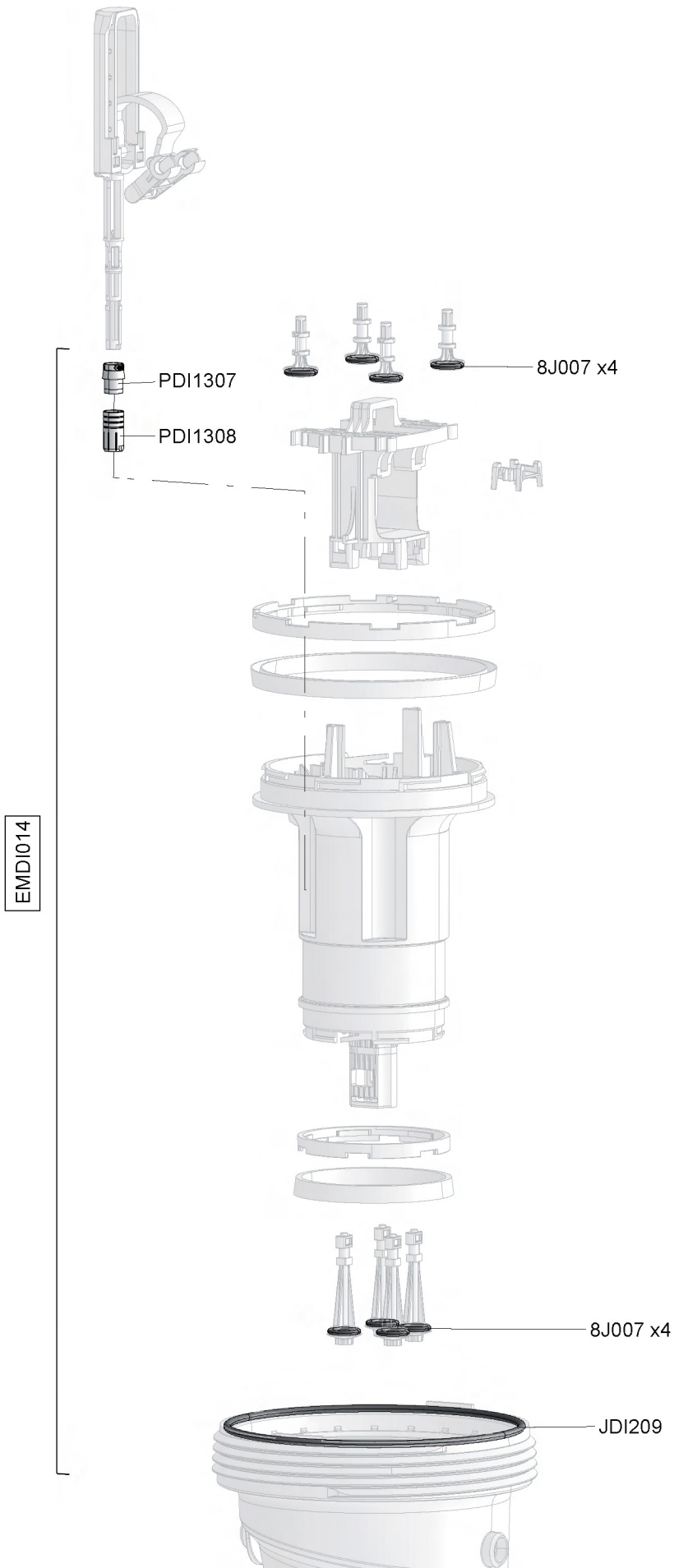
D6MZ2

26 GPM - 1:500 - 1:50
 6m³/h - 0.2 - 2%
 4.3 - 116 PSI
 0.3 - 8 bar



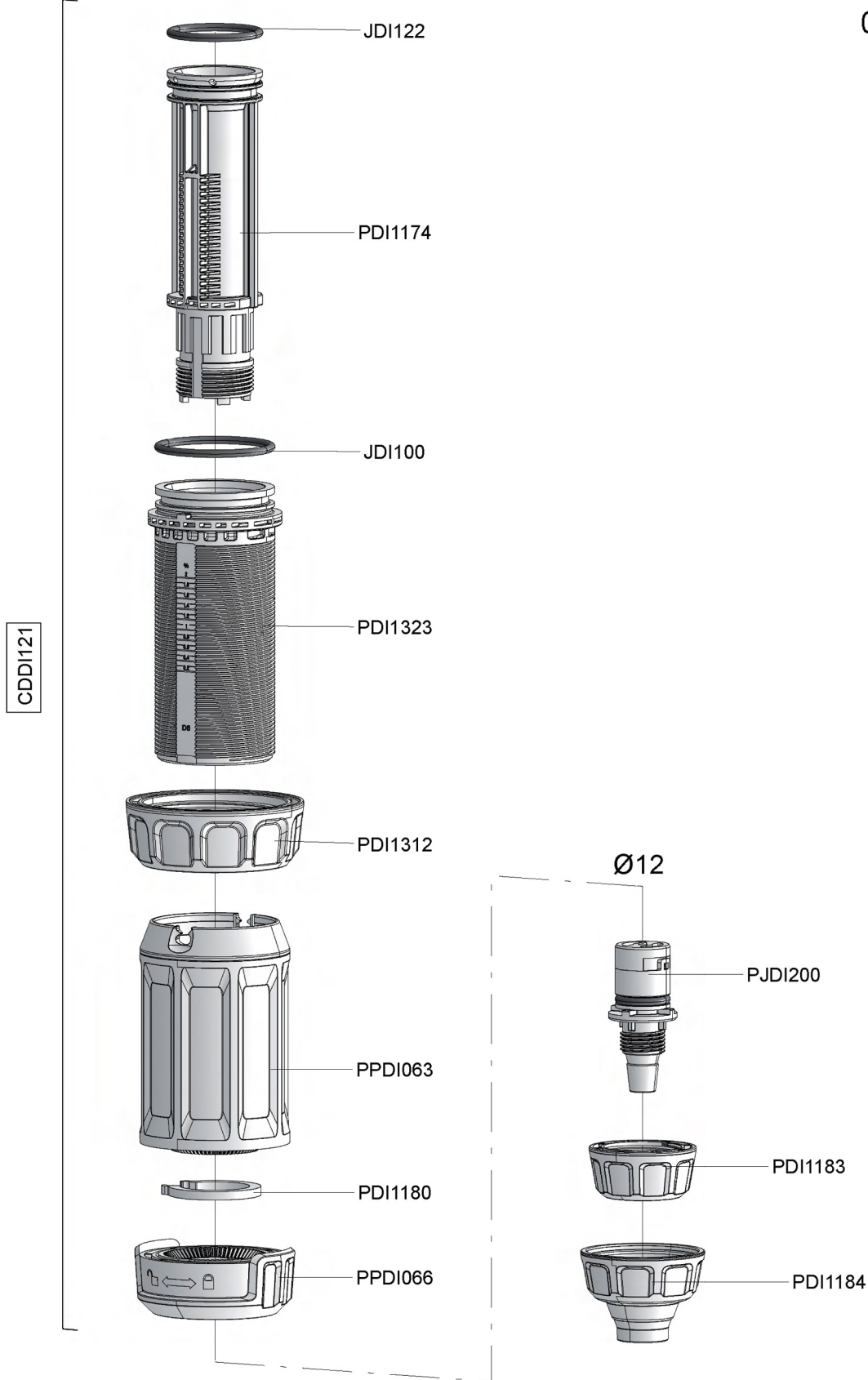
D6MZ2

26 GPM - 1:500 - 1:50
6m³/h - 0.2 - 2%
4.3 - 116 PSI
0.3 - 8 bar



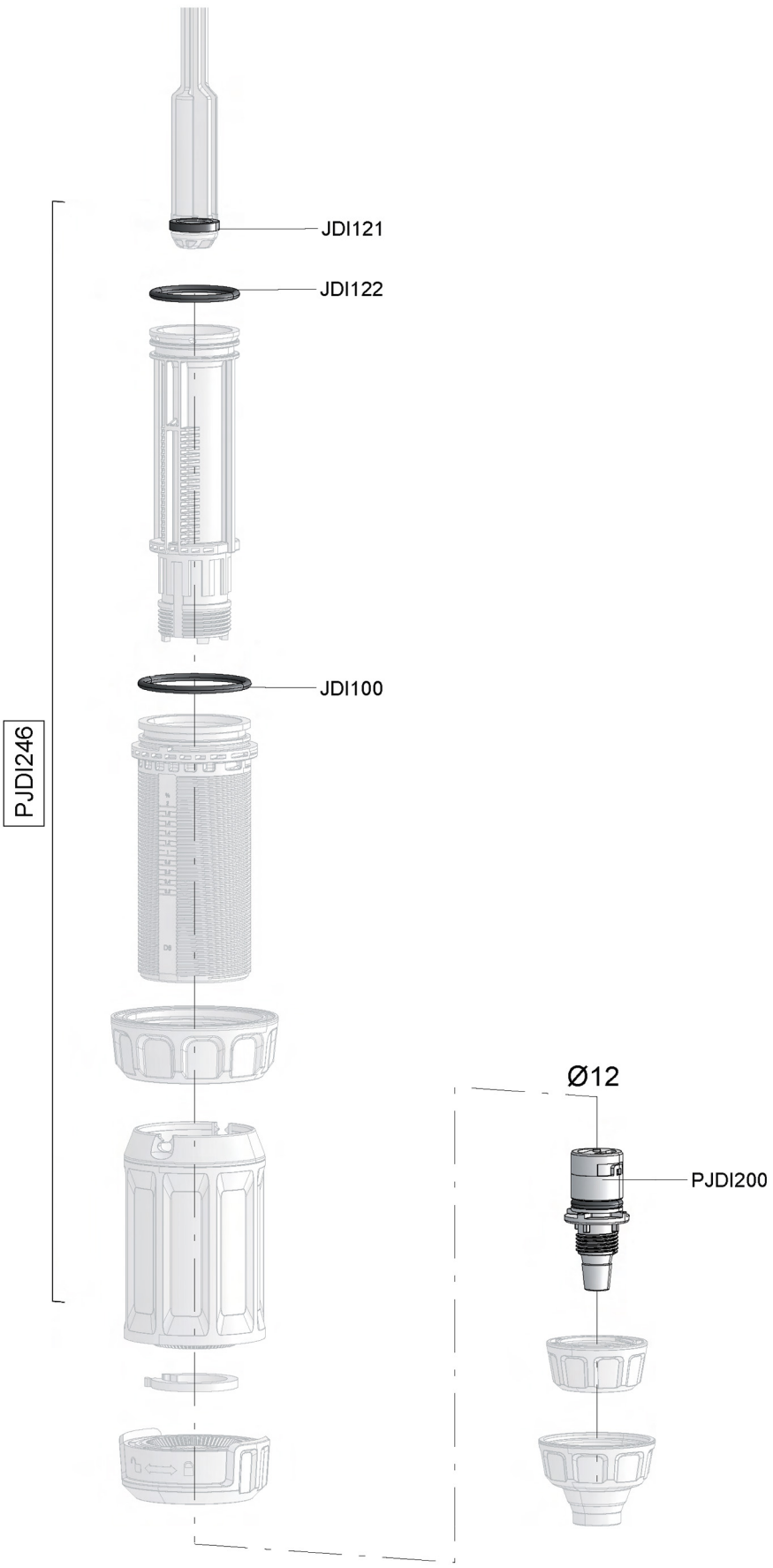
D6MZ2

26 GPM - 1:500 - 1:50
6m³/h - 0.2 - 2%
4.3 - 116 PSI
0.3 - 8 bar



D6MZ2

26 GPM - 1:500 - 1:50
6m³/h - 0.2 - 2%
4.3 - 116 PSI
0.3 - 8 bar



D6MZ2

26 GPM - 1:500 - 1:50
6m³/h - 0.2 - 2%
4.3 - 116 PSI
0.3 - 8 bar

