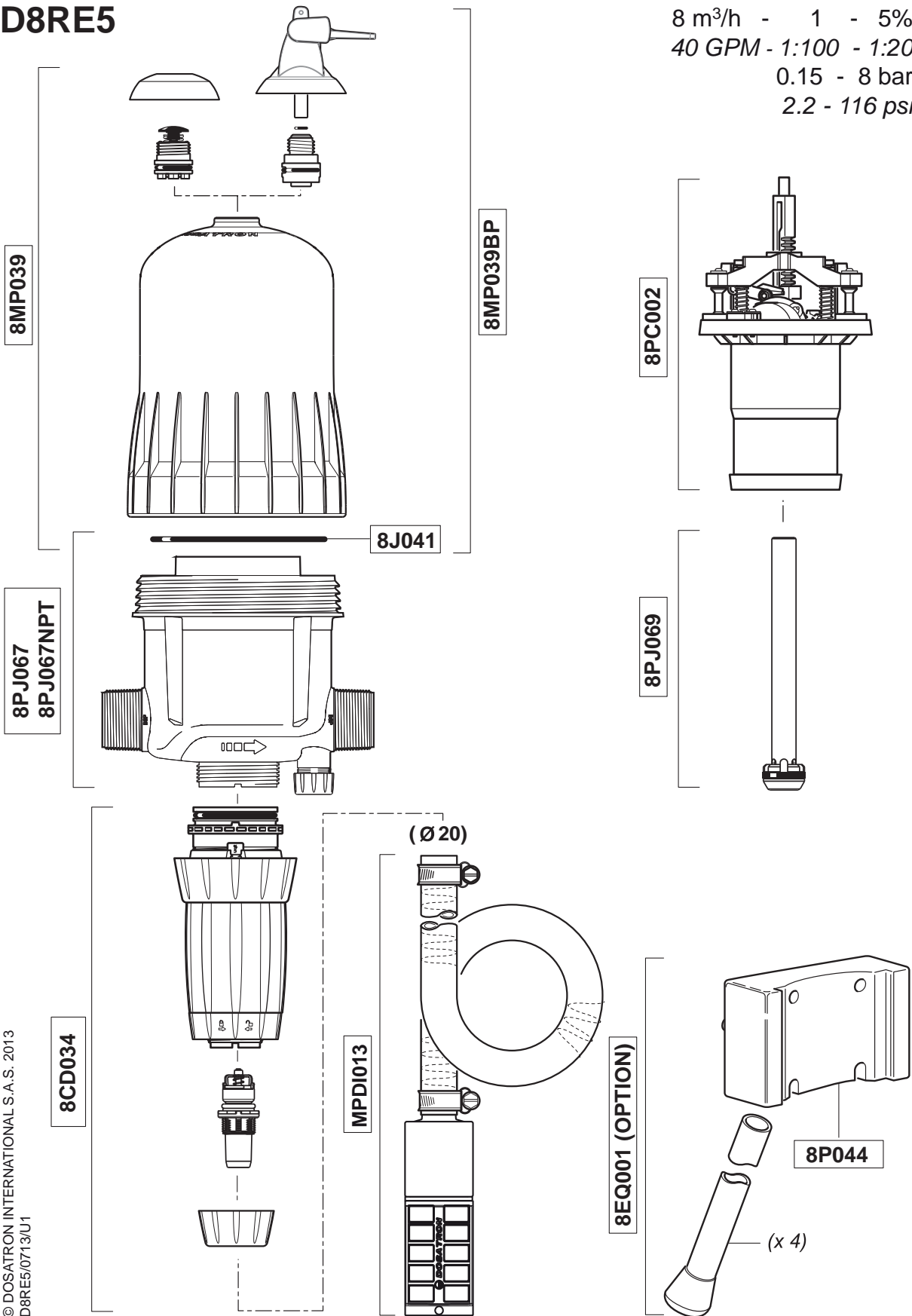


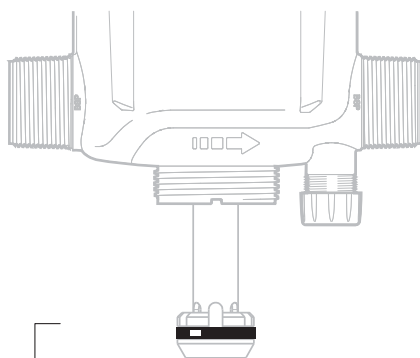
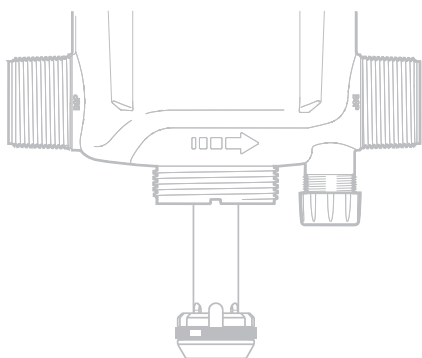
D8RE5

8 m³/h - 1 - 5%
 40 GPM - 1:100 - 1:20
 0.15 - 8 bar
 2.2 - 116 psi



D8RE5

8 m³/h - 1 - 5%
40 GPM - 1:100 - 1:20
0.15 - 8 bar
2.2 - 116 psi



8CD034

PJD122V

© DOSATRON INTERNATIONAL S.A.S. 2013
D8RE5/0713/U2

